

Solco Brick Plugs

Description:

Solco Brick Plugs ensure a watertight application of Soldrain Systems. Solco Brick Plugs are high quality and can be used in a range of applications and on multiple substrate types. The Thermoplastic Elastomer seal ensures that the application of the membrane is watertight.

Typical Uses:

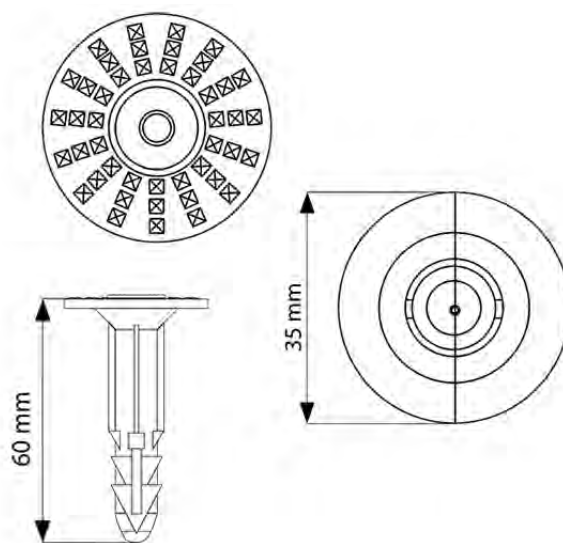
- On brick and stone.
- On concrete.
- In damp-proofing applications.
- In waterproofing applications.
- Above or below ground.
- To apply cavity drainage membranes such as Soldrain Double, Soldrain Wall, and Soldrain ICD System.

Advantages:

- A reinforced head to prevent damage when knocking in the plug.
- 60 mm in length - suitable for both single skin and cavity walls.
- Provides a waterproof seal when used with seals provided.
- Available with or without seals to cater to multiple application types.
- A large 25mm head provides optimum surface area for finishes.
- Serrated head for improved adhesion of finishes.
- The tailor-made seal is specific to the plug.



Property	Value
Plug Material	High Density Polyethylene
Seal Material	Thermoplastic Elastomer
Pull Out Performance	
Concrete	0.55 kN
Solid Brick	0.50 kN
Lightweight Block	0.30 kN
Shear Loading	0.038 kN
Application Temperature	-20°C to +90°C



Solco, Unit 51, Portmanmoor Road Industrial Estate, Ocean Park, Cardiff, CF24 5HB

Solco Plaster Plugs

Description:

Solco Plaster Plugs ensure a watertight application of Soldrain Systems. Solco Plaster Plugs are high quality and can be used in a range of applications and on multiple substrate types. The Thermoplastic Elastomer seal ensures that the application of the membrane is watertight.

Typical Uses:

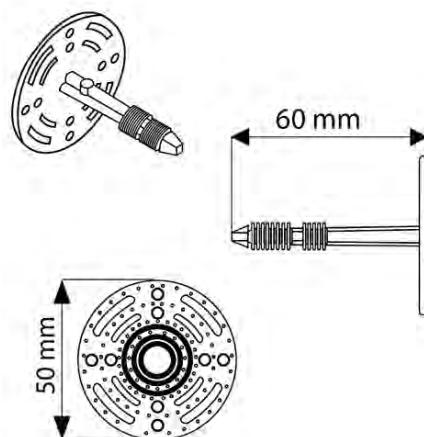
- To apply mesh membrane systems.
- Where a plaster application is necessary.
- Where a dot and dab plaster board application is necessary.
- To secure membranes to walls on systems where a free-standing frame is to be used.

Advantages:

- A reinforced head to prevent damage when knocking in the plug.
- 60 mm in length - suitable for both single skin and cavity walls.
- Provides a waterproof seal when used with seals provided.
- Available with or without seals to cater to multiple application types.
- Large 50mm head provides optimum surface area for plaster, dot & dab plasterboard, etc.
- Works in conjunction with Soldrain Membranes.
- The Tailor-made seal is specific to the plug.



Property	Value
Plug Material	High Density Polyethylene
Seal Material	Thermoplastic Elastomer
Pull Out Performance	
Concrete	0.43 kN
Solid Brick	0.40 kN
Lightweight Block	0.28 kN
Shear Loading	0.025kN
Application Temperature	-30°C to +90°C



Solco, Unit 51, Portmanmoor Road Industrial Estate, Ocean Park, Cardiff, CF24 5HB